

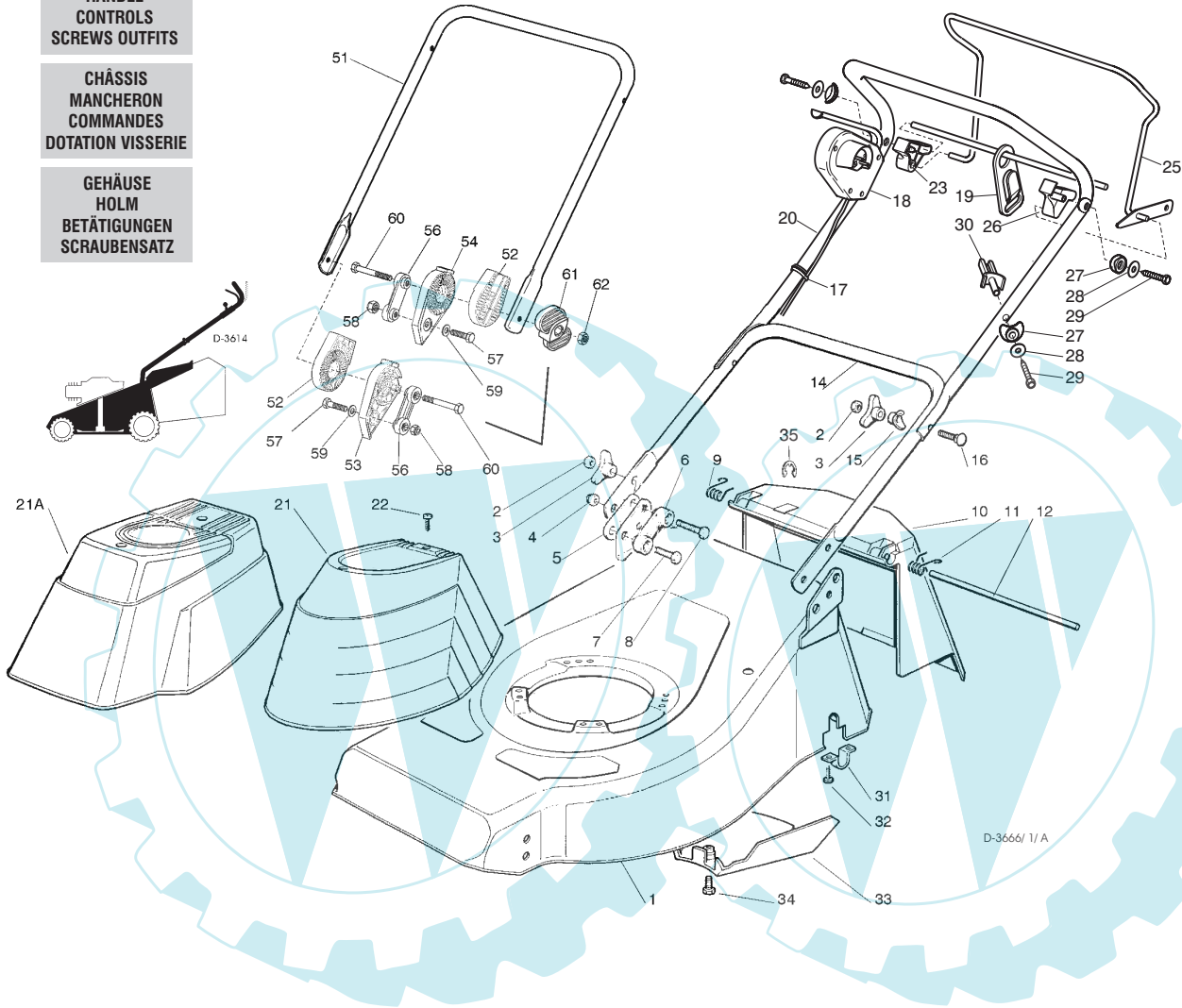
# RL 430 TR

**CHASSIS  
MANICO  
COMANDI  
DOTAZIONE VITERIE**

**DECK  
HANDLE  
CONTROLS  
SCREWS OUTFITS**

**CHÂSSIS  
MANCHERON  
COMMANDES  
DOTATION VISSERIE**

**GEHÄUSE  
HOLM  
BETÄTIGUNGEN  
SCHRAUBENSATZ**



**SPARE PARTS CATALOGUE**

**ERSATZTEILKATALOG**

**GB**

**D**

**CATALOGO DELLE PARTI  
DI RICAMBIO**

**CATALOGUE DES PIÈCES  
DE RECHANGE**

**I**

**F**

T-3666/ 1/A

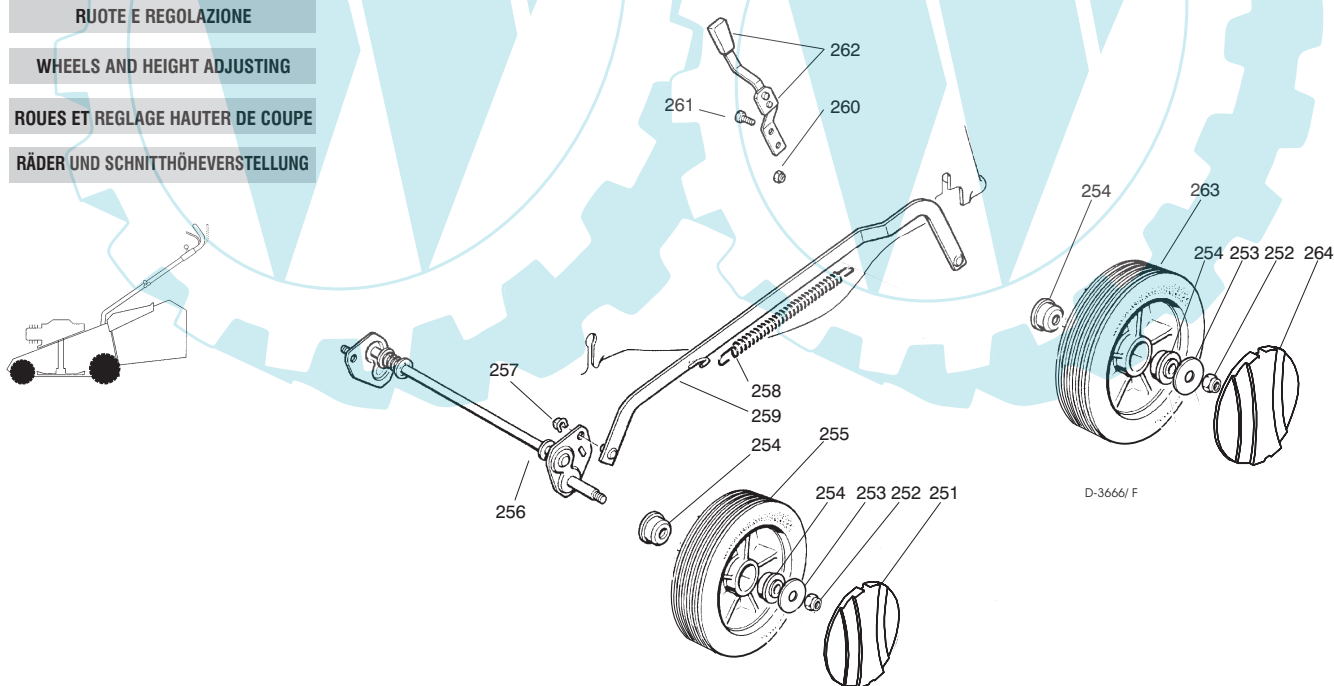
Pos. Nr.	Codice Code Kodex	Q.tà Q.ty-Q.tè Menge	Descrizione	Description	Description	Beschreibung
1			CHASSIS	DECK	CHÂSSIS	GEHÄUSE
—	81001633/ 0	1	ROSSO	RED	ROUGE	ROTES
—	81001634/ 0	1	GIALLO	YELLOW	JAUNE	GELBES
—	81001635/ 0	1	VERDE	GREEN	VERT	GRÜNES
2	12293200/ 0	4	DADO	NUT	ECROU	MUTTER
3	22399900/ 0	4	MANOPOLINA	KNOB	POIGN9E	GRIF
4	12155000/ 0	2	DADO	NUT	ECROU	MUTTER
5	22551574/ 0	2	PIASTRINA ESTERNA	OUTSIDE PLAQUE	PLAQUETTE EXTERNE	INNERE PLATTE
6	22551575/ 0	2	PIASTRINA INTERNA	INSIDE PLAQUE	PLAQUETTE INTERNE	INNERE PLATTE
7	12793300/ 0	2	VITE	SCREW	VIS	SCHRAUBE
8	12691115/ 0	2	VITE	SCREW	VIS	SCHRAUBE
9	22450410/ 1	1	MOLLA DESTRA	RIGHT SPRING	RESSORT DROITE	RECHTE FEDER
10	22600028/ 4	1	PARASASSI	STONEGUARD	PAREPIERRES	PRALLBLECH
11	22450420/ 1	1	MOLLA SINISTRA	LEFT SPRING	RESSORT GAUCHE	LINKE FEDER
12	22517906/ 1	1	PERNO	PIN	PIVOT	BOLZEN
14	81006512/ 0	1	PARTE INFERIORE MANICO	LOWER HANDLE	PARTIE INF. MANCHERON	OBERHOLM
15	22680006/ 1	2	RONDELLA	WASHER	RONDELLE	SCHIBE
16	12819201/ 0	2	VITE	SCREW	VIS	SCHRAUBE
17	22192000/ 1	2	FASCETTA ANCORAGGIO	ANCHOR CLAMP	COLLIER ANCRAGE	BOWDENZUGHALTER
18	18710603/ 0	1	SALVAMOTORE M.M. 11A 602 MS	DEAD HAND SWITCH 11A 602 MS	INT. MAIN MORTE 11A 602 MS	TOT MANSCHALTER 11A 602 MS

Pos. Nr.	Codice Code Kodex	Q.tà Q.ty-Q.tè Menge	Descrizione	Description	Description	Beschreibung
19	22195101/ 1	1	FERMACAVO	FAIR LEAD	FIXATION CABLE	KABELBEFESTIGUNG
20	81006957/ 0	1	PARTE SUPERIORE MANICO	UPPER HANDLE	PARTIE SUP. MANCHERON	UNTERHOLM
21	22055033/ 1	1	CAPOTTINA	COVER	CAPOT	HAUBE
21A	22055045/ 1	1	CAPOTTINA	COVER	CAPOT	HAUBE
22	12728680/ 0	2	VITE	SCREW	VIS	SCHRAUBE
23	22806518/ 0	1	SUPPORTO DESTRO	RIGHT FIXED BEARING	SUPPORT DROITE	RECHTER HALTER
24	22020320/ 0	1	AGGANCIO FERMACAVO	FAIRLEAD BEARING	SUPPORT SERRECABLE	KABELHALTER
25	81001245/ 0	1	LEVA TRAZIONE	DRIVING LEVER	LEVIER TRACTION	ANTRIEBHEBEL
26	22806519/ 0	1	SUPPORTO SINISTRO	LEFT FIXED BEARING	SUPPORT GAUCHE	LINKER HALTER
30	22806520/ 0	1	SUPPORTO REGISTRO	ADJUSTER SUPPORT	SUPPORT ECROU REG.	REGLERHALTER
31	22680007/ 0	3	RONDELLA	WASHER	RONDELLE	SCHEIBE
32	12523040/ 0	3	RONDELLA	WASHER	RONDELLE	SCHEIBE
33	12735103/ 0	3	VITE	SCREW	VIS	SCHRAUBE
34	22545152/ 0	2	PIASTRINA	PLATE	PLAQUETTE	PLATTE
35	12731350/ 0	4	VITE	SCREW	VIS	SCHRAUBE
36	22060170/ 0	1	CARTER CINGHIA	BELT PROTECTION	PROTECTION CORROIRE	RIEMENSCHUTZ
37	12727791/ 0	1	VITE	SCREW	VIS	SCHRAUBE
38	12000930/ 0	1	ANELLO ELASTICO	SNAP RING	ANNEAU RESSORT	SPRENGRING
—	81008596/ 1		DOTAZIONE VITERIA	SCREWS OUTFIT	DOTATION VISSERIE	SCHRAUBEN SATZ

T-3614/ B

		VARIANTE REGOLAZIONE MANICO	HANDLE ADJUSTMENT VARIANT	VARIANTE REGLAGE POIGNEE	GRIFFEINSTELLVARIANTE	
51	81006510/ 0	1	PARTE INF. MANICO	LOWER HANDLE	PARTIE INF. MANCHERON	UNTERHOLM
52	22785081/ 0	2	SUPPORTO ESTERNO	EXTERNAL SUPPORT	SUPPORT EXTERNE	AUßERE HALTERUNG
53	22785082/ 0	1	SUPPORTO INTERNO DX	R. INTERNAL SUPPORT	SUPPORT INTERNE DROIT	INNERE HALTERUNG RECHTS
54	22785083/ 1	1	SUPPORTO INTERNO SX	L. INTERNAL SUPPORT	SUPPORT INTERNE GAUCHE	INNERE HALTERUNG LINKS
56	22551575/ 0	2	PIASTRINA INTERNA	INSIDE PLAQUE	PLAQUETTE INTERNE	INNERE PLATTE
57	12793701/ 0	2	VITE	SCREW	VIS	SCHRAUBE
58	12155000/ 0	2	DADO	NUT	ECROU	MUTTER
59	12521350/ 0	2	RONDELLA	WASHER	RONDELLE	SCHEIBE
60	12691810/ 0	2	VITE	SCREW	VIS	SCHRAUBE
61	22399803/ 0	2	MANOPOLINA	KNOB	POIGNEE	GRIFF
62	12293202/ 0	2	DADO	NUT	ECROU	MUTTER
—	81008622/ 0	1	DOTAZ. VITERIA	SCREWS OUTFIT	DOTATION VISSERIE	SCHRAUBEN SATZ

**RUOTE E REGOLAZIONE**  
**WHEELS AND HEIGHT ADJUSTING**  
**ROUES ET REGLAGE HAUTER DE COUPE**  
**RÄDER UND SCHNITTHÖHEVERSTELLUNG**

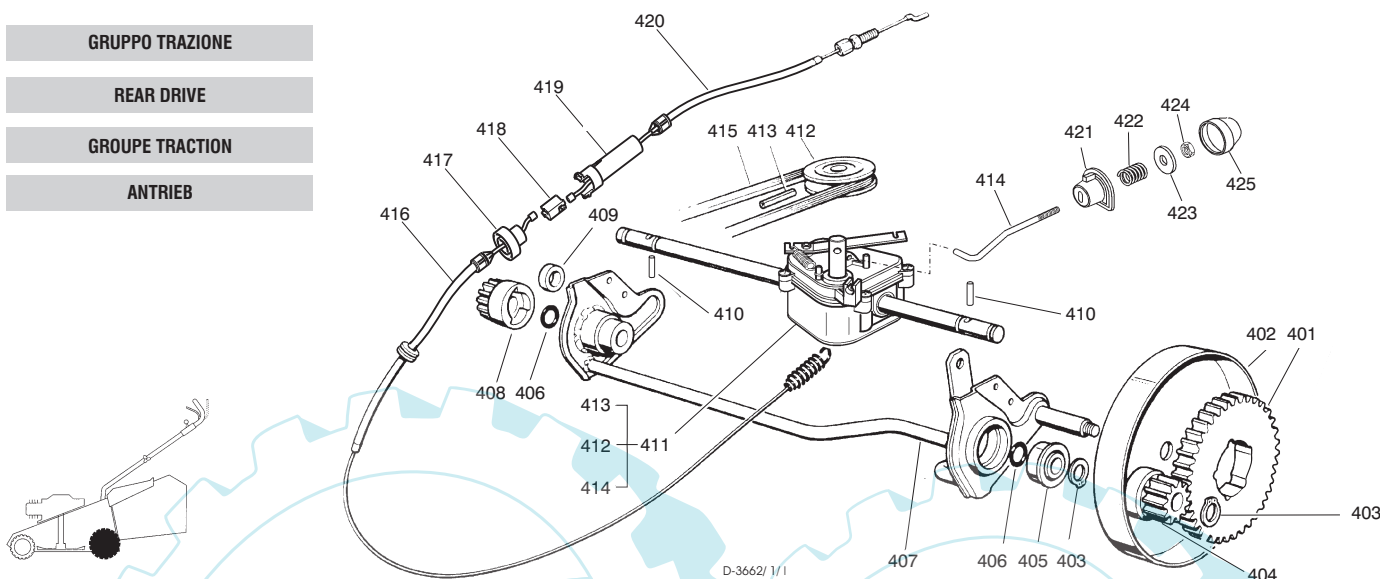


T-3666/ F

251			COPRIMOZZO	HUB CAP	COUVRE-MOYEU	RADKAPPE
—	22110252/ 0	2	BIANCO	WHITE	BLANC	WEIßE
—	22110254/ 0	2	GIALLO	YELLOW	JAUNE	GELBE
—	22110255/ 0	2	ROSSO	RED	ROUGE	ROTE
252	12155000/ 0	4	DADO	NUT	ECROU	MUTTER
253	12523060/ 0	4	RONDELLA	WASHER	RONDELLE	SCHEIBE
254	22034508/ 0	8	BOCCOLA	BUSH	DOUILLE	BUCHSE
255	81007326/ 0	2	RUOTA Ø 170	WHEEL Ø 170	ROUE Ø 170	RAD Ø 170
256	81001248/ 0	1	ASSE RUOTE ANTERIORE	FRONT WHEELS AXLE	AXE ROUES AVANT	VORDERRADACHSE
257	12436050/ 0	2	PIASTRINA	PLATE	PLAQUETTE	PLÄTTCHEN
258	22446180/ 0	1	MOLLA	SPRING	RESSORT	FEDER
259	81001244/ 0	1	ASTA COMANDO	ADJUSTMENT ROD	TIGE COMMANDE	STELLSTAB
260	12154330/ 0	2	DADO	NUT	ECROU	MUTTER

Pos. Nr.	Codice Code Kodex	Q.tà Q.ty-Q.tè Menge	Descrizione	Description	Description	Beschreibung
261	12789000/0	2	VITE	SCREW	VIS	SCHRAUBE
262	81003279/2	1	LEVA REGOLAZIONE	ADJUSTMENT LEVER	LEVIER REGLAGE	VERSTELLUNGHEBEL
263	81007328/0	2	RUOTA Ø 210	WHEEL Ø 210	ROUE Ø 210	RAD Ø 210
264	81007328/0	2	COPRIMOZZO	HUB CAP	COUVRE-MOYEU	RADKAPPE
—	22110251/0	2	BIANCO	WHITE	BLANC	WEIßE
—	22110253/0	2	GIALLO	YELLOW	JAUNE	GELBE
—	22110256/0	2	ROSSO	RED	ROUGE	ROTE

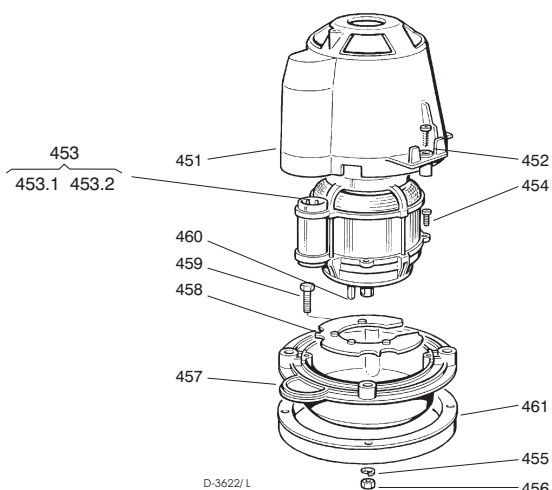
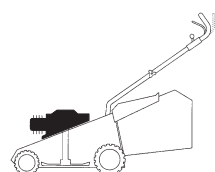
- GRUPPO TRAZIONE**
- REAR DRIVE**
- GROUPE TRACTION**
- ANTRIEB**



T-3662/1/1

401	22120105/1	2	CORONA	RING GEAR	COURONNE	KRANZ
402	81006846/0	2	PROTEZIONE RUOTE	WHEEL GUARD	PROTECTION ROUE	RÄDERSCHUTZ
403	12608600/0	4	SEEGER	SEEGER	SEEGER	SEEGER
404	22570120/0	1	PIGNONE SINISTRO	LEFT PINION	PIGNON GAUCHE	LINKES RITZEL
405	22122200/0	2	CUSCINETTO	BEARING	COUSSINET	LAGER
406	12019900/0	2	ANELLO OR	OR RING	BAGUE OR	RING OR
407	81001252/1	1	ASSE RUOTE POSTERIORE	REAR WHEELS AXLE	AXE ROUES ARRIERE	HINTERRADACHSE
408	22570110/0	1	PIGNONE DESTRO	RIGHT PINION	PIGNON DROITE	RECHTES RITZEL
409	22170800/0	1	DISTANZIALE	SPACER	ENTRETOISE	DISTANZRING
410	22753000/0	2	SPINA	PIN	GOUPILLE	STIFT
411	81003059/0	1	ASS. GRUPPO TRAZIONE (PLASTICA)	GEAR BOX ASS.Y (PLASTIC)	ENS. GROUPE TRACTION (PLASTIQUE)	ANTRIEBSATZ (KUNSTSTOFF)
—	81003060/1	1	(ALLUMINIO)	(ALUMINIUM)	(ALUMINIUM)	(ALUMINIUM)
412	22001904/0	1	PULEGGIA	PULLEY	POULIE	RIEMENSCHLEIBE
413	12645705/0	1	SPINA	PIN	GOUPILLE	STIFT???
414	22033280/0	1	ASTA REGOLAZIONE	ADJUSTMENT ROD	TIGE REGLAGE	VERSTELLUNGSTANGE
415	35063710/0	1	CINGHIA Z 25	BELT Z 25	COURROIE Z 25	RIEMEN Z 25
416	81001138/0	1	CAVO INFERIORE	DOWN CABLE	CÂBLE INFÉRIEUR	UNTER KABEL
417	22246031/0	1	GIUNZIONE INFERIORE	DOWN JOINT	CONNECTION INFÉRIEUR	VERBINDUNG OBEN
418	22042040/0	1	BUSSOLA ISOLAMENTO	ISOLATION COMPASS	BOUSSOLE DE ISOLEMENT	ABSONDERUNG KOMPAS
419	22246030/0	1	GIUNZIONE SUPERIORE	UP JOINT	CONNECTION SUPÉRIEUR	VERBINDUNG UNTER
420	81001150/0	1	CAVO SUPERIORE	UP CABLE	CÂBLE SUPÉRIEUR	OBEN KABEL
421	22041957/0	1	BUSSOLA	BUSH	DOUILLE	BUCHSE
422	22450063/0	1	MOLLA	SPRING	RESSORT	FEDER
423	22680009/0	1	RONDELLA	WASHER	RONDELLE	SCHLEIBE
424	12154510/0	1	DADO	NUT	ECROU	MUTTER
425	22110230/0	1	TAPPO	CAP	BOUCHON	GUMMISTOPFEN

- GRUPPO MOTORE ELETTRICO**
- MOTOR ASS.Y**
- MOTEUR ELECTRIQUE**
- ELEKTROMOTOR**



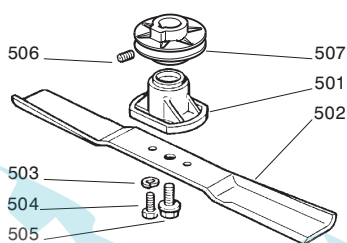
Pos. Nr.	Codice Code Kodex	Q.tà Q.ty-Q.tè Menge	Descrizione	Description	Description	Beschreibung	
T-3622/ L	451	22785061/ 0	1	SUPPORTO CAPOTTINA	COVER SUPPORT	SUPPORT CAPOT	HAUBEHALTER
	452	12728710/ 0	4	VITE	SCREW	VIS	SCHRAUBE
	453	18563070/ 1	1	MOTORE IBMEI 1600W (230V)	IBMEI MOTOR 1600W (230V)	MOTEUR IBMEI 1600W (230V)	MOTOR IBMEI 1600W (230V)
	453.1	18740049/ 0	1	VENTOLA MOTORE IBMEI	IBMEI MOTOR FAN	VENTILATEUR MOTEUR IBMEI	IBMEI LÜFTER
	453.2	18222038/ 0	1	CONDENSATORE 20 µF	CONDENSER 20 µF	CONDENSEUR 20 µF	KONDENSATOR 20 µF
	454	12735410/ 0	4	VITE	SCREW	VIS	SCHRAUBE
	455	12583500/ 0	4	GROWER	GROWER	GROWER	FEDERRING
	456	12293200/ 0	4	DADO	NUT	ECROU	MUTTER
	457	22207211/ 3	1	FLANGIA	FLANGE	BRIDE	FLANSCH
	458	22720360/ 1	1	SCHERMO VENTILAZIONE	VENTILATION SCREEN	ECRAN VENTILATION	LÜFTUNGSSCHIRM
	459	12691800/ 0	4	VITE	SCREW	VIS	SCHRAUBE
	460	12139440/ 0	1	LINGUETTA	FEATHER	CLAVETTE	KEIL
	461	81003471/ 0	1	DISTANZIALE	SPACER	ENTRETOISE	DISTANZRING

**GRUPPO COLTELLO**

**BLADE ASS.Y**

**GROUPE LAME**

**MESSERSATZ**



D-3622/ M

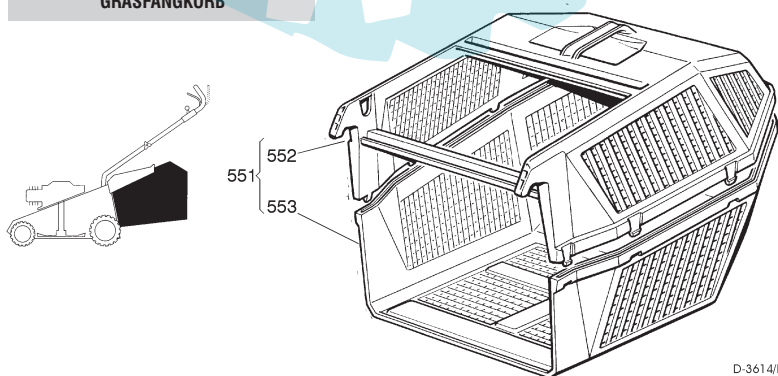
T-3622/ M	501	22463186/ 2	1	MOZZO	HUB	MOYEU	NABE
	502	81004341/ 2	1	COLTELLO	BLADE	LAME	MESSER
	—	81004396/ 0	1	STANDARD	STANDARD	STANDARD	STANDARD
	—	81004396/ 0	1	ALETTATO	WINGED	AILETTÉE	FLÜGEL
	503	12583500/ 0	2	GROWER	GROWER	GROWER	FEDERRING
	504	12793101/ 0	2	VITE	SCREW	VIS	SCHRAUBE
	505	81004352/ 0	1	VITE	SCREW	VIS	SCHRAUBE
506	12713801/ 0	1	GRANO	DOWEL	GRAIN	STIFT	
507	22601911/ 0	1	PULEGGIA	PULLEY	POUILE	RIEMENSCHIEBE	

**SACCO RACCOGLIERBA**

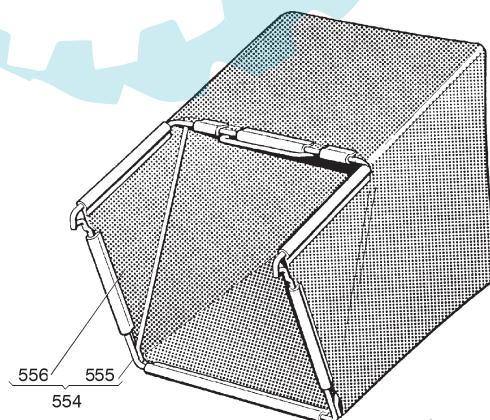
**GRASS-CATCHER**

**BAC DE RAMASSAGE**

**GRASFANGKORB**



D-3614/N



T-3614/ N	551	98005000/ 1	1	SACCO COMPLETO	COMPLETE GRASS-BOX	SAC COMPLET	KOMPLETTER KORB
	552	22486076/ 0	1	PARTE SUP. SACCO	UPPER GRASS BOX	PARTIE SUP. SAC	OBERKORB
	553	22486077/ 0	1	PARTE INF. SACCO	LOWER GRASS BOX	PARTIE INF. SAC	UNTERKORB
	554	98004000/ 0	1	ASS. SACCO IN TELA	CANVASS GRASSCATCHER	ENSEMBLE SAC EN TOILE	KOMPLETTER SACK
	555	81006408/ 0	1	TELAIO	CHASSIS	CHÂSSIS	RAHMEN.
	556	81002105/ 2	1	TELA SACCO	FABRIC BOX	TOILE POUR SAC	TUCK FÜR SACK